

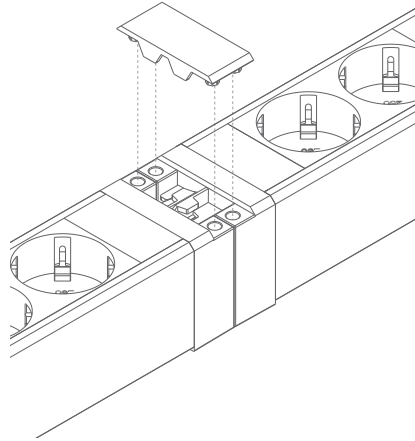
# axessline

Axessline Outlet Strip

4 socket type F, 1 USB-C & 1 USB-A charger, 15W, GST-18i3

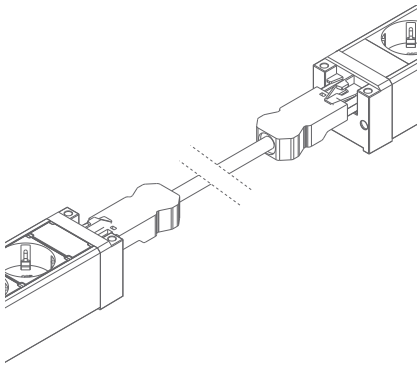
User manual 9401050309

- 5 Once the two Outlet strip products are firmly secured, attach the connection cover.



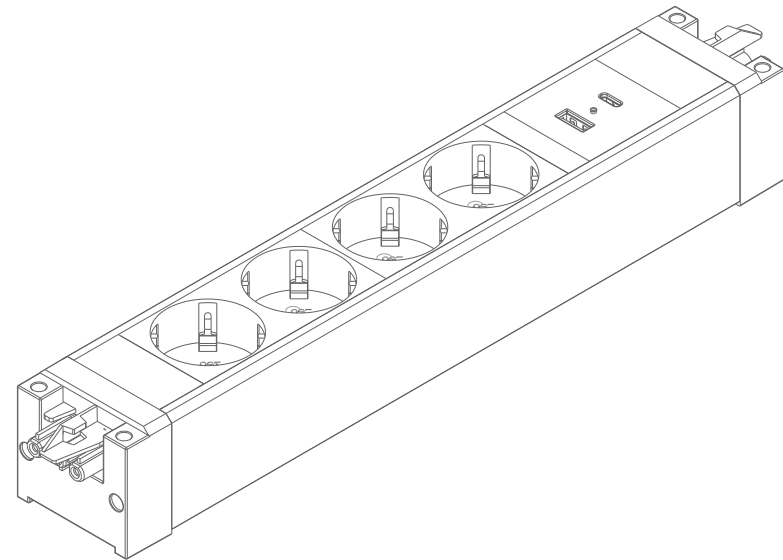
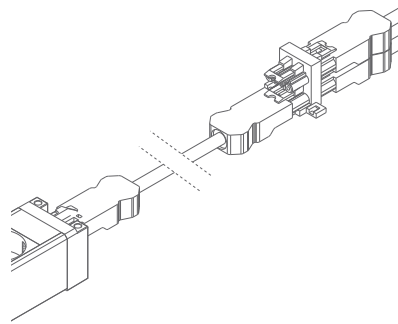
- 6 If an extension is required between two Outlet strip products, use extension cables:

9203050509 - 1m  
9203050109 - 2m  
9203050209 - 3m  
9203050309 - 5m  
(not included)



- 7 If multiple Outlet strip products will be connected in parallel or sequence, use splitter:

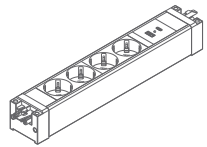
9882050309 - 1 GST18i3 Male to 2 Female  
9882050409 - 1 GST18i3 Male to 3 Female  
(not included)



# axessline

Axessline Outlet Strip  
4 socket type F, 1 USB-C & 1 USB-A charger, 15W, GST-18i3  
User manual 9401050309

## CONTENT



1 × 935-B4UC  
Outlet strip 4 Power outlets  
USB-A & USB-C Charger



4 × Wood screws

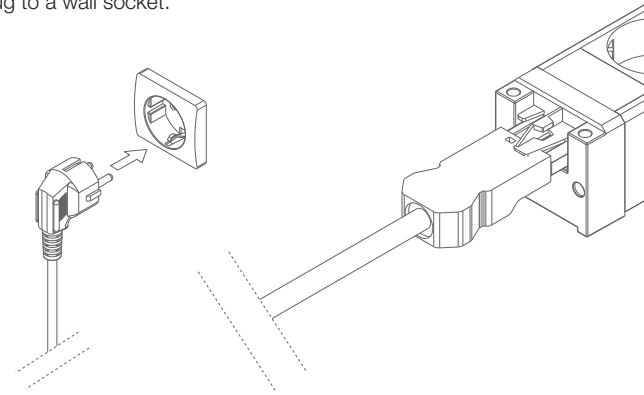


2 × Mounting plates

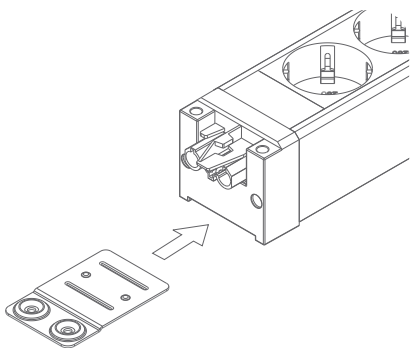


1 × Connection cover

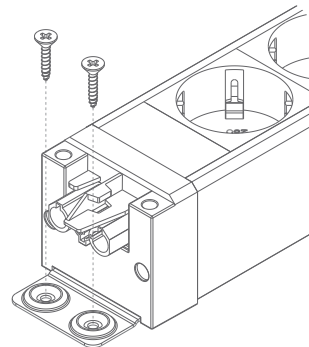
- ③ Attach GST18i3 power cable (not included) male connector to Outlet strip female connector and power plug to a wall socket.



- ① Slide mounting plate into grooves until firmly in place.



- ② Attach the product to the desired surface with the included screws.



- ④ If multiple Outlet strip products in abutted serial connection is desired, line up the GST18i3 male and female connector, and press them together firmly until a distinct click is heard.

